



EVAC

EVAC CLEAN ECO Flush Water Additive



Treatment
Systems

EVAC CLEAN ECO

Flush Water Additive

System Overview

System availability

EVAC flush water additives decalcify the entire toilet system including toilet bowl, piping, sliding gate valves and spray nozzles. By preventing system blockages and mineral deposits, they contribute substantially to seamless operation. The overall effect is a boost for system availability with minimum maintenance.

Passenger comfort

The continuous prevention of calcium build-up keeps the toilet bowl clean – a welcome plus for passenger comfort but also for cost-effectiveness, as it eliminates the need for additional cleaning agents. Moreover, EVAC CLEAN ECO's fresh and pleasant scent further adds to a cleaner experience of the entire toilet cabin, which in turn has been proven to decrease vandalism.

Easy, space-saving installation

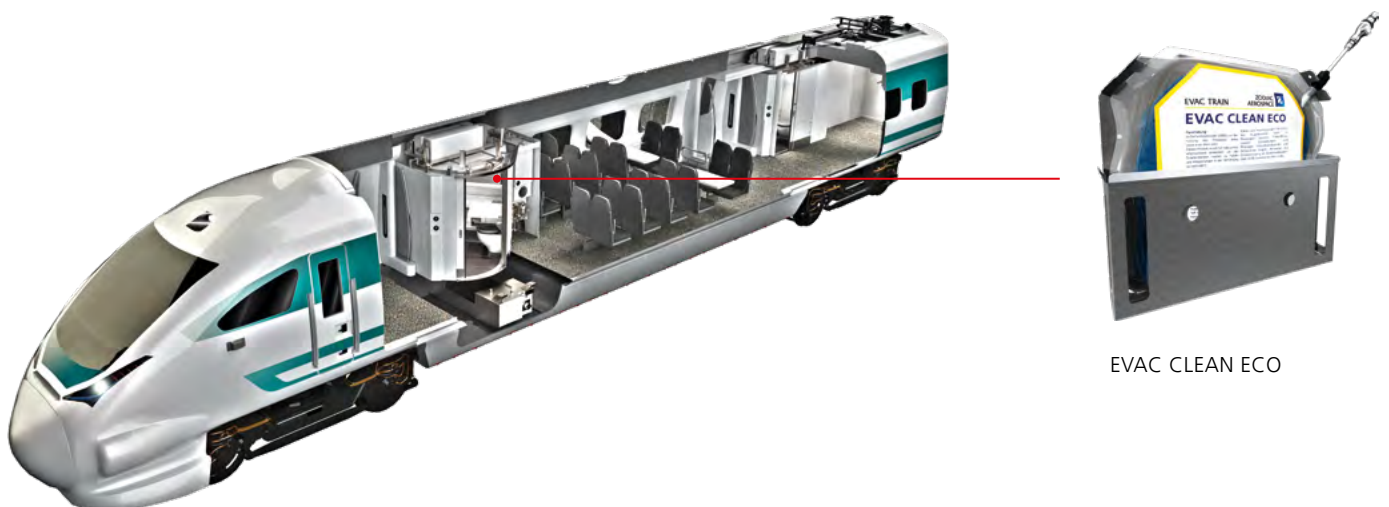
The dosage pump which injects a small quantity of EVAC CLEAN ECO with every flush is mounted directly on the toilet. Due to its flexible design, the additive container can be placed wherever the respective cabin space allows. Retrofit solutions – even for other toilet systems – are easy to implement.

Economy

EVAC flush water additives are provided in a flexible pouch that allows for full and loss-free extraction of its contents by introducing the suction lance deeply into the container. The elastic deformability of the additive container also ensures frost resistance.


Environmentally compatible


EVAC CLEAN ECO is non-biocidal and easily biodegradable.




EVAC CLEAN ECO

General Data

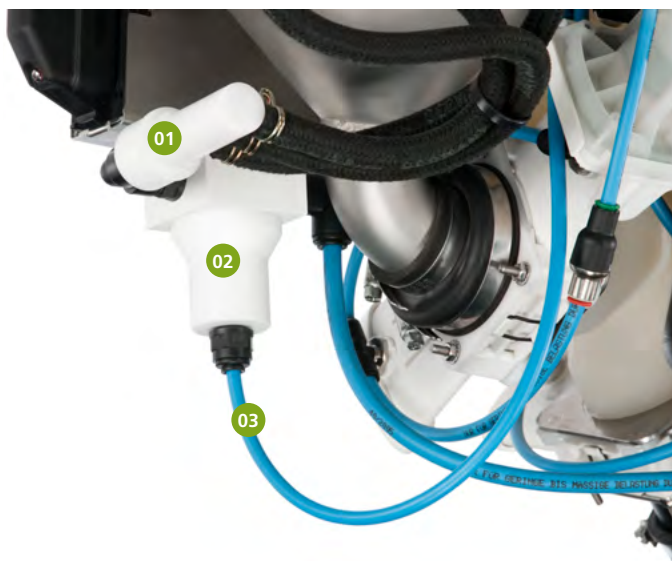
 Consumption: approx. 0.2 ml per flush cycle
 1 container (1,500 ml) lasts about 7,500 flush cycles,
 i.e. 3 months

 Environmental compatibility certificate: EU norm.
 Biodegradable according to OECD guidelines for
 testing of chemicals, method 302 B

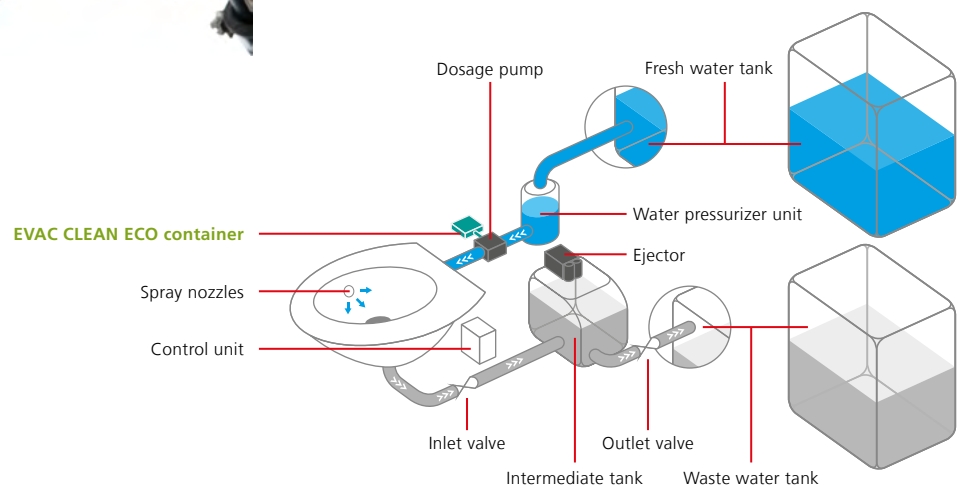
 Installation: approx. 20 min. per toilet system

How It Works

With every toilet flush, the dosage pump injects a small quantity of EVAC CLEAN ECO into the flush water.



- 01 Flush water adapter
- 02 Dosage pump
- 03 EVAC CLEAN ECO hose





EVAC

Evac GmbH
Feldstraße 124
22880 Wedel, Germany

T +49 (0) 41 03 91 68 0
F +49 (0) 41 03 91 68 90
E evac-train@evac-train.com

www.evac-train.com
rail.knorr-bremse.com