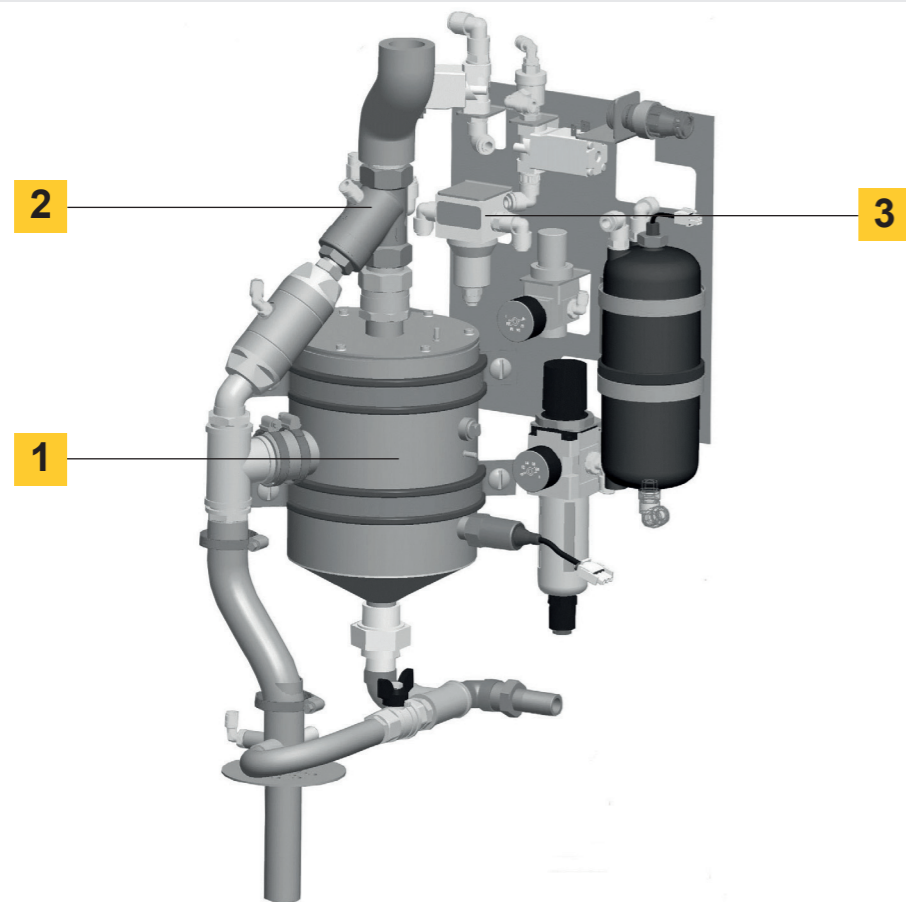


EVAC Greywater Recycling system

PROPERTIES

- Reduction of fresh water consumption up to 50% per flush
- Less frequently fresh water refilling
- Less frequently waste water emptying
- Protecting bowl and pipes from urine scale and calcium deposits
- Can be easily installed to systems already in operation
- Environment-friendly

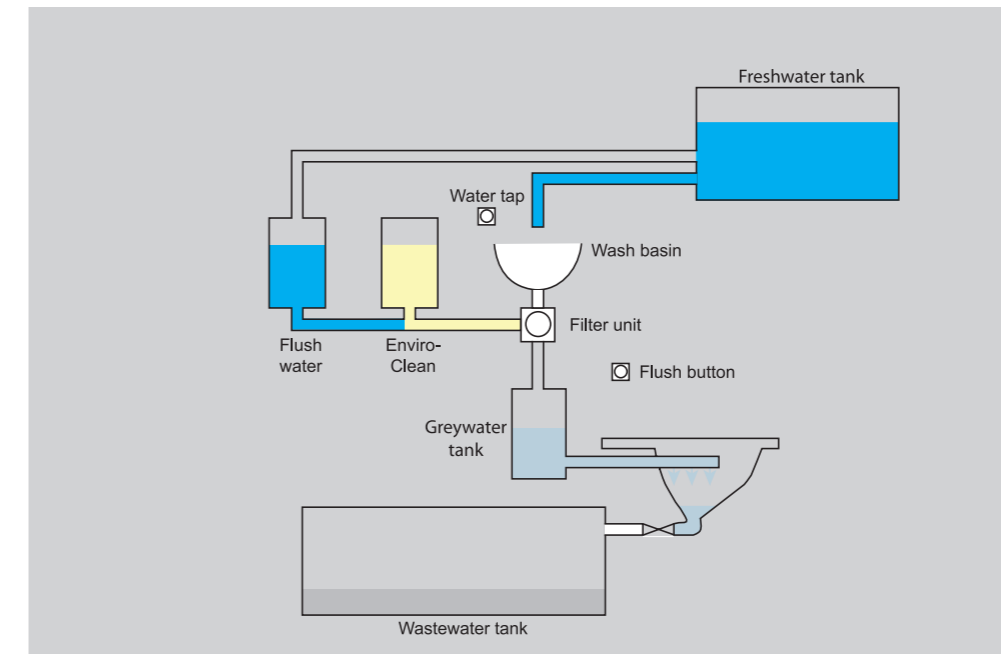


1 Greywater tank
2 Backflush filter

3 EnviroClean pump

HOW IT WORKS

- After using water from the wash basin greywater is collected in a separate grey water tank
- Particles and solid matters are automatically removed by an automatic backflush filter.
- Collected greywater is treated with Evac EnviroClean flush water additive
- Next toilet flush is provided by particle-free and treated greywater



GENERAL DATA

SUPPLIES Compressed air: 6 – 10 bar, filter: 5 µm max. grain size
Voltage: 24 V DC (± 30 %)

INTERFACE Hand wash basin: Pipe DN 32
Compressed air: Coupling DN 5
Electrical connection: CPC Plug in 14 pol.

CONSUMPTION Power consumption: appr. 17 W (continuous operation)
Toilet not self-priming
Compressed air: appr. 23 NL (Toilet not self-priming)
EnviroClean: appr. 0.5 ml/operating hour

